

QT-Brightek Chip LED Series**4-SMD RGB LED****Part No.: QBLP600L-RGB5-3190****5: 5mA**



Table of Contents:

Introduction3

Electrical / Optical Characteristic (Ta=25 °C)4

Absolute Maximum Rating4

Characteristic Curves.....6

Solder Profile & Footprint.....8

Packing9

Labeling 10

Ordering Information 10

Revision History 11

Disclaimer 11

Introduction

Feature:

- White diffused lens
- Package in tape and reel
- 4-SMD package, 5mA sorting
- Common Anode
- InGaN technology for G/B
- AlInGaP technology for R
- Viewing angle: 150° typ.
- 0606 RGB

Description:

These ultra bright 0606 RGB LEDs have a height profile of 0.60mm. Combination of high brightness output and small footprint, these LEDs are ideal for keypad backlighting, status indication, and color mixing applications.

Application:

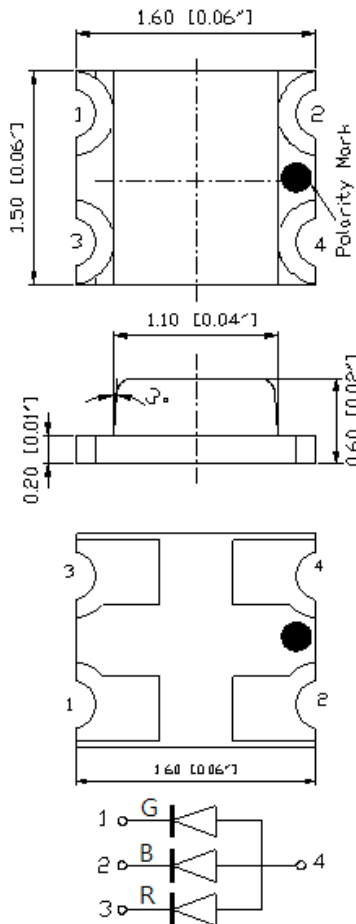
- Status indication
- Back lighting application

Certification & Compliance:

- ISO9001
- RoHS Compliant



Dimension:



Units: mm / tolerance = +/-0.1mm

Electrical / Optical Characteristic (Ta=25 °C)

Product	Color	I _F (mA)	V _F (V)		λ _D (nm)			I _V (mcd)		
			Typ.	Max	Min.	Typ.	Max.	Min	Typ.	Max.
QBLP600L- RGB5-3190	Red	5	1.8	2.5	615	620	630	18	30	45
	Green	5	2.8	3.4	520	528	535	57	90	140
	Blue	5	2.8	3.4	465	470	475	14.5	30	50

Absolute Maximum Rating

Material	P _d (mW)	I _F (mA)	I _{FP} (mA)*	V _R (V)	T _{OP} (°C)	T _{ST} (°C)	T _{SO L} (°C)**
AllnGaP (R)	75	30	125	5	-40 ~ +80	-40 ~ +85	260
InGaN (G/B)	102	30	125	5	-40 ~ +80	-40 ~ +85	260

*Duty 1/8 @ 1KHz

**IR Reflow for no more than 10 sec @ 260 °C

Forward Voltage V_F for Red @ I_F=5mA

Bin	Min.	Max.	Unit
□	1.7	2.5	V

Forward Voltage V_F for Green @ I_F=5mA

Bin	Min.	Max.	Unit
e	2.5	2.8	V
f	2.8	3.1	
g	3.1	3.4	

Luminous Intensity I_V for Red @ $I_F=5mA$

Bin	Min.	Max.	Unit
M	18	28.5	mcd
N	28.5	45	

Luminous Intensity I_V for Green @ $I_F=5mA$

Bin	Min.	Max.	Unit
PA	57	90	mcd
QA	90	140	

Luminous Intensity I_V for Blue @ $I_F=5mA$

Bin	Min.	Max.	Unit
LA	14.5	22.5	mcd
MA	22.5	36	
NA	36	50	

Dominant Wavelength λ_D for Red @ $I_F=5mA$

Bin	Min.	Max.	Unit
s	615	620	nm
t	620	625	
u	625	630	

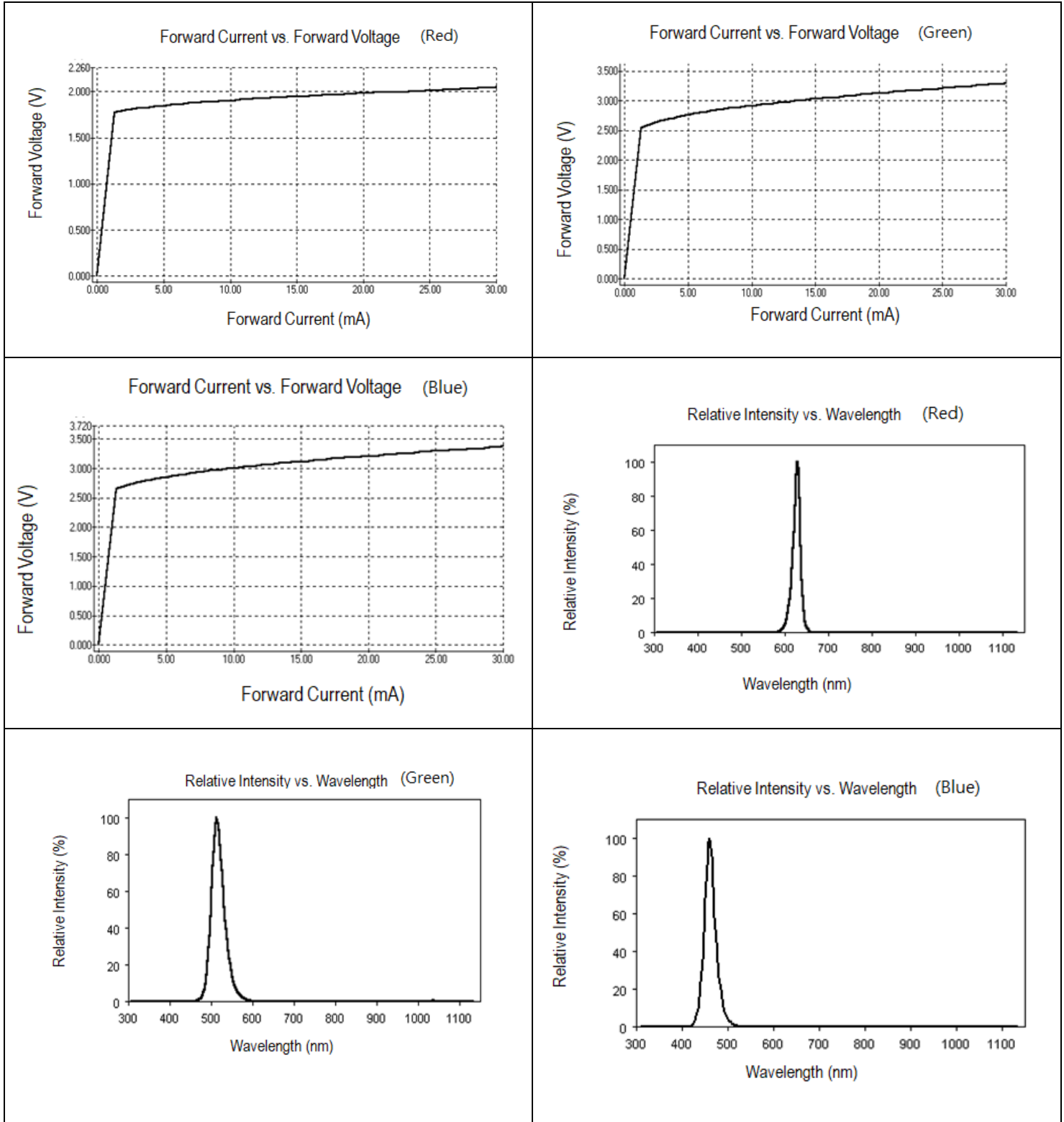
Dominant Wavelength λ_D for Green @ $I_F=5mA$

Bin	Min.	Max.	Unit
X	520	525	nm
Y	525	530	
Z	530	535	

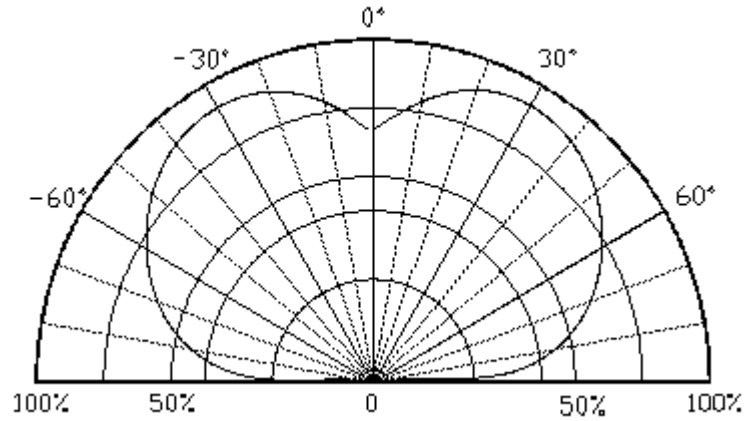
Dominant Wavelength λ_D for Blue @ $I_F=5mA$

Bin	Min.	Max.	Unit
X	465	470	nm
Y	470	475	

Characteristic Curves

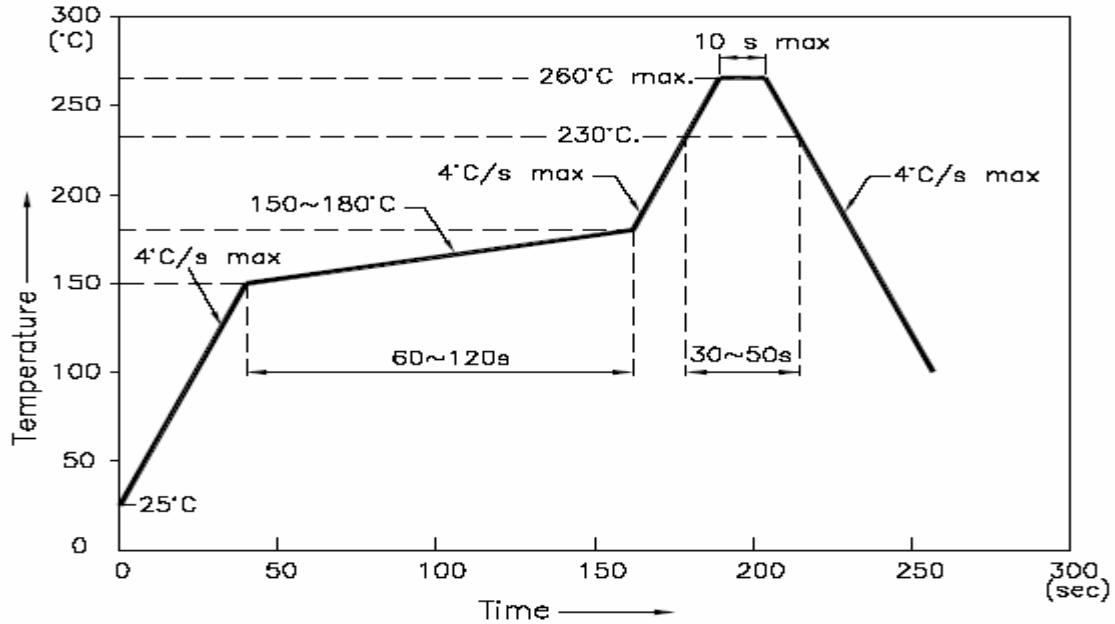


Directive Characteristics

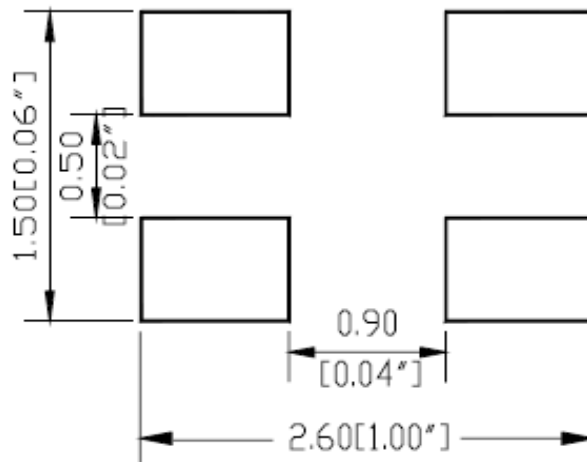


Solder Profile & Footprint

-The recommended reflow soldering profile is as follows (temperatures indicated are as measured on the surface of the LED resin):



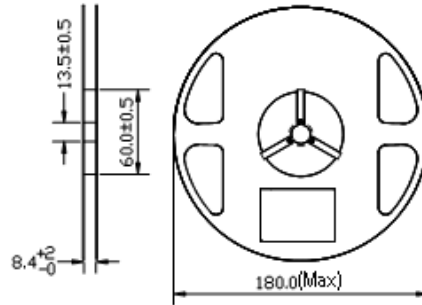
Recommended Pad Layout



Units: mm

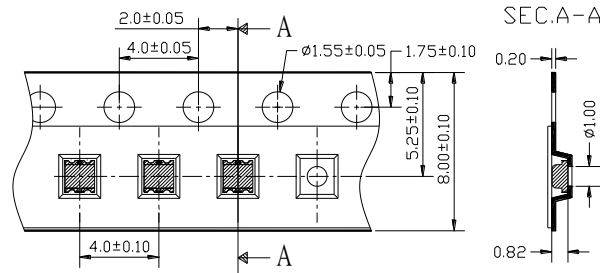
Packing

Reel Dimension:



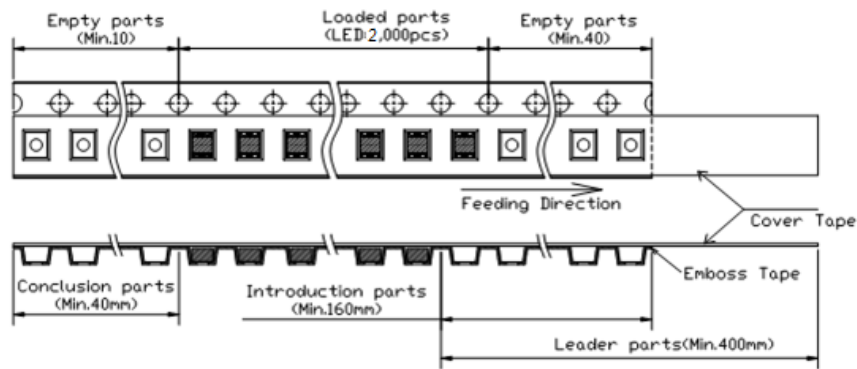
Unit: mm

Tape Dimension:

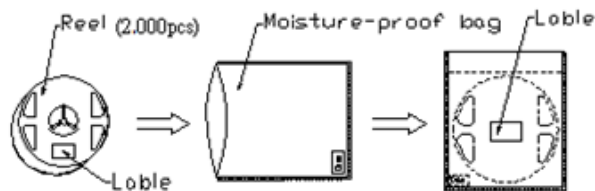


Unit: mm

Arrangement of Tape:



Packaging Specification:



LabelingPart No: _____Customer P/N: _____Item: _____Q'ty: _____Vf: _____Iv: _____WI: _____Date: _____**Made in China****Ordering Information**

Part #	Orderable Part #	Spec Range	Quantity per reel
QBLP600L-RGB-3190	QBLP600L-RGB-3190	Red: $I_v=30\text{mcd typ. @ } I_F=5\text{mA}$, $\lambda_D=615\text{nm to } 630\text{nm}$	2,000 units
		Green: $I_v=90\text{mcd typ. @ } I_F=5\text{mA}$, $\lambda_D=520\text{nm to } 535\text{nm}$	
		Blue: $I_v=30\text{mcd typ. @ } I_F=5\text{mA}$, $\lambda_D=465\text{nm to } 475\text{nm}$	



Revision History

Description:	Revision #	Revision Date
New Release of QBLP600L-RGB5-3190	V1.0	02/21/2023

Disclaimer

QT-BRIGHTTEK reserves the right to make changes without further notice to any products herein to improve reliability, function or design. QT-BRIGHTTEK does not assume any liability arising out of the application or use of any product or circuit described herein; neither does it convey any license under its patent rights, nor the rights of others.

Life Support Policy

QT-BRIGHTTEK's products are not authorized for use as critical components in life support devices or systems without the express written approval of QT-BRIGHTTEK. As used herein:

1. Life support devices or systems are devices or systems which, (a) are intended for surgical implant into the body, or (b) support or sustain life, and (c) whose failure to perform when properly used in accordance with instructions for use provided in the labeling, can be reasonably expected to result in a significant injury of the user.
2. A critical component in any component of a life support device or system whose failure to perform can be reasonably expected to cause the failure of the life support device or system, or to affect its safety or effectiveness.